

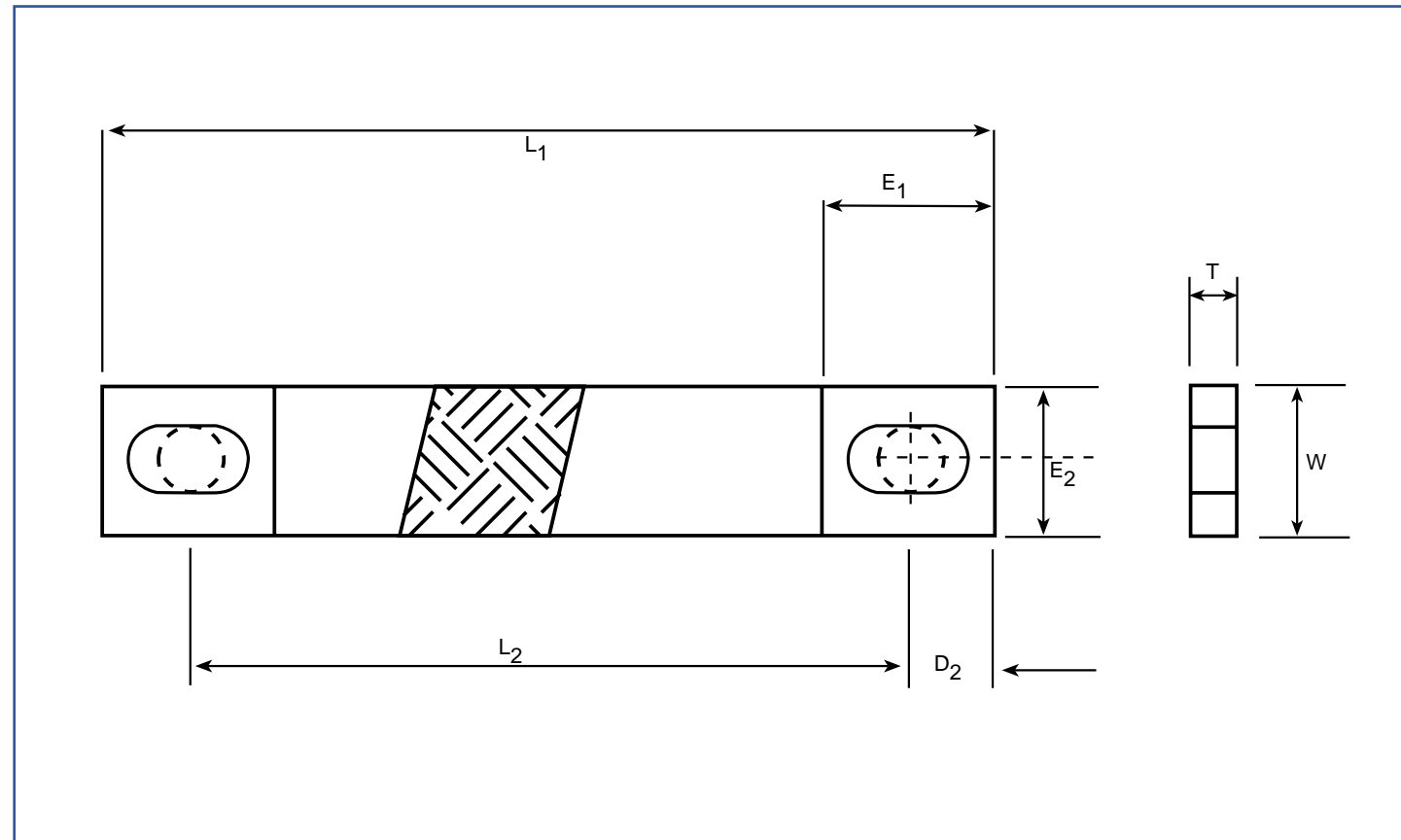
**Technische Spezifikation der Typbezeichner – Technical Characteristics of Cable Markers**

- Permanente Betriebsdauer: -30°C bis +105°C
- Schumpftemperatur: +120°C
- Schumpfverhältnis: 3 : 1
- Elektrische Durchschlagfestigkeit: 20 KV/mm x min
- Farbe: Gelb
- Continuous operating temperature: -30°C to + 105°C
- Shrink temperature: + 120°C
- Shrink ratio: 3 : 1
- Dielectric strength: 20 KV/mm x min
- Colour: Yellow

**Schrumpfschlauchisolierung mit erhöhter Schwerentflammbarkeit  
Heatshrink sleeve flame retardant**

Aus Sicherheits- und Kennzeichnungspflichtgründen hat Yuasa sich entschlossen, die Verbinder nur mit einem Schrumpfschlauch mit der Entflammbarkeitsklassifizierung VW 1 und einem Typschild zu überziehen, damit die Leistungseigenschaften eines jeden Verbinders innerhalb einer Batterieinstallation klar erkennbar sind.

For reasons of safety and clearness, Yuasa opted for covering the connectors by sleeves of low enflammability (classification VW 1) and by a marker showing suitability and major performance features as to identify them easily within a string of batteries).



| Batterietyp<br>Battery Type | Batterietyp-<br>bezogene<br>Verbinde-<br>bezeichnung<br>Battery<br>Connector<br>Related<br>Designation | Strombelast-<br>barkeit<br>pro Verbinder<br>Current<br>rating<br>(Amps)<br>per connector | Querschnitts-<br>fläche in mm²<br>Cross Sectional<br>Area in mm² | Gesamt-<br>länge<br>(mm) (L1)<br>Overall<br>Length<br>(L1) | Distanz<br>zwischen<br>Lochmitt-<br>en (mm) (L2)<br>CTS (distance<br>between<br>center holes<br>(L2) | Dicke der<br>Kontakthülse<br>(mm) (T)<br>Ferrule<br>Thickness<br>(T) | Länge der<br>Kontakthülse<br>(mm) (E1)<br>Ferrule<br>Length<br>(E1) | Breite der<br>Kontakthülse<br>(mm) (E2,W)<br>Ferrule<br>Width<br>(E2,W) | Lochdimensionen<br>(mm) („Durch-<br>messer“ x „Breite“)<br>„Dimensions of<br>punched holes<br>(“diameter“ or<br>“length x width“) | Strombelast-<br>barkeit bei<br>3 C Entlade-<br>rate<br>(Amps) per<br>connection required<br>at 3C discharge | Benötigte Anzahl<br>an Verbindern<br>gemäß Strom-<br>belastbarkeit<br>Number of<br>connectors<br>required<br>for link | Polkappen<br>Shrouds |
|-----------------------------|--------------------------------------------------------------------------------------------------------|------------------------------------------------------------------------------------------|------------------------------------------------------------------|------------------------------------------------------------|------------------------------------------------------------------------------------------------------|----------------------------------------------------------------------|---------------------------------------------------------------------|-------------------------------------------------------------------------|-----------------------------------------------------------------------------------------------------------------------------------|-------------------------------------------------------------------------------------------------------------|-----------------------------------------------------------------------------------------------------------------------|----------------------|
| NP 17-12 I                  | Serial                                                                                                 | 90                                                                                       | 10                                                               | 112                                                        | 100                                                                                                  | 2,0                                                                  | 12,0                                                                | 12,0                                                                    | 6,0                                                                                                                               |                                                                                                             |                                                                                                                       | S                    |
|                             | N-17-24-S (M)                                                                                          | 90                                                                                       | 10                                                               | 52                                                         | 40                                                                                                   | 2,0                                                                  | 12,0                                                                | 12,0                                                                    | 6,0                                                                                                                               |                                                                                                             |                                                                                                                       | S                    |
|                             | N-17-24-SS (M)                                                                                         | 125                                                                                      | 16                                                               | 340                                                        | 320                                                                                                  | 3,0                                                                  | 20,0                                                                | 20,0                                                                    | 10,5 x 6,5                                                                                                                        |                                                                                                             |                                                                                                                       | S                    |
|                             | N-17-SLE (M)                                                                                           | 90                                                                                       | 10                                                               | 242                                                        | 230                                                                                                  | 2,0                                                                  | 12,0                                                                | 12,0                                                                    | 6,0                                                                                                                               | 102                                                                                                         | 1 - 2                                                                                                                 | S                    |
| NP/NPL 24-12 I              | Serial                                                                                                 | 90                                                                                       | 10                                                               | 110                                                        | 98                                                                                                   | 2,0                                                                  | 12,0                                                                | 12,0                                                                    | 6,0                                                                                                                               |                                                                                                             |                                                                                                                       | S                    |
|                             | N-17-24-S (M)                                                                                          | 90                                                                                       | 10                                                               | 52                                                         | 40                                                                                                   | 2,0                                                                  | 12,0                                                                | 12,0                                                                    | 6,0                                                                                                                               |                                                                                                             |                                                                                                                       | S                    |
|                             | N-17-24-SS (M)                                                                                         | 125                                                                                      | 16                                                               | 486                                                        | 466                                                                                                  | 3,0                                                                  | 20,0                                                                | 20,0                                                                    | 10,5 x 6,5                                                                                                                        |                                                                                                             |                                                                                                                       | S                    |
|                             | N-24-SLE (M)                                                                                           | 160                                                                                      | 25                                                               | 340                                                        | 320                                                                                                  | 3,5                                                                  | 20,0                                                                | 20,0                                                                    | 10,5 x 6,5                                                                                                                        | 144                                                                                                         | 1                                                                                                                     | M                    |
| NP/NPL 38-12 I              | Serial                                                                                                 | 250                                                                                      | 50                                                               | 365                                                        | 340                                                                                                  | 4,0                                                                  | 25,0                                                                | 20,0                                                                    | 10,5 x 6,5                                                                                                                        | 216                                                                                                         | 1 - 2                                                                                                                 | M                    |
|                             | N-24-2PE (M)                                                                                           | 125                                                                                      | 16                                                               | 75                                                         | 55                                                                                                   | 3,0                                                                  | 20,0                                                                | 20,0                                                                    | 10,5 x 6,5                                                                                                                        |                                                                                                             |                                                                                                                       | M                    |
|                             | N-38-S/SS (M)                                                                                          | 250                                                                                      | 50                                                               | 405                                                        | 380                                                                                                  | 5,0                                                                  | 25,0                                                                | 20,0                                                                    | 10,5 x 6,5                                                                                                                        |                                                                                                             |                                                                                                                       | M                    |
|                             | N-38-SLE (M)                                                                                           | 250                                                                                      | 50                                                               | 345                                                        | 320                                                                                                  | 5,0                                                                  | 25,0                                                                | 20,0                                                                    | 10,5 x 6,5                                                                                                                        | 228                                                                                                         | 1                                                                                                                     | L                    |
| NP/NPL 65-12 I              | Serial                                                                                                 | 400                                                                                      | 100                                                              | 370                                                        | 340                                                                                                  | 6,0                                                                  | 30,0                                                                | 25,0                                                                    | 10,5 x 6,5                                                                                                                        | 342                                                                                                         | 1                                                                                                                     | L                    |
|                             | N-38-2PE (M)                                                                                           | 250                                                                                      | 50                                                               | 120                                                        | 95                                                                                                   | 5,0                                                                  | 25,0                                                                | 20,0                                                                    | 11,5 x 8,5                                                                                                                        |                                                                                                             |                                                                                                                       | M                    |
|                             | N-38-3PE (M)                                                                                           | 250                                                                                      | 50                                                               | 85                                                         | 60                                                                                                   | 5,0                                                                  | 25,0                                                                | 20,0                                                                    | 10,5 x 6,5                                                                                                                        |                                                                                                             |                                                                                                                       | M                    |
|                             | N-65-S (M)                                                                                             | 250                                                                                      | 50                                                               | 396                                                        | 371                                                                                                  | 5,0                                                                  | 25,0                                                                | 20,0                                                                    | 10,5 x 6,5                                                                                                                        |                                                                                                             |                                                                                                                       | M                    |
| NPL 78-12 IFR               | Serial                                                                                                 | 400                                                                                      | 100                                                              | 330                                                        | 300                                                                                                  | 6,0                                                                  | 30,0                                                                | 25,0                                                                    | 10,5 x 6,5                                                                                                                        | 390                                                                                                         | 1                                                                                                                     | L                    |
|                             | N-65-2PE (M)                                                                                           | 500                                                                                      | 100                                                              | 340                                                        | 300                                                                                                  | 8,5                                                                  | 40,0                                                                | 30,0                                                                    | 10,5 x 6,5                                                                                                                        | 585                                                                                                         | 1                                                                                                                     | L                    |
|                             | N-78-S (M)                                                                                             | 250                                                                                      | 50                                                               | 120                                                        | 95                                                                                                   | 5,0                                                                  | 25,0                                                                | 20,0                                                                    | 11,5 x 8,5                                                                                                                        |                                                                                                             |                                                                                                                       | M                    |
|                             | N-78-SS (M)                                                                                            | 250                                                                                      | 50                                                               | 85                                                         | 60                                                                                                   | 5,0                                                                  | 25,0                                                                | 20,0                                                                    | 11,5 x 8,5                                                                                                                        |                                                                                                             |                                                                                                                       | M                    |
| NPL 100-12                  | Serial                                                                                                 | 320                                                                                      | 60                                                               | 205                                                        | 180                                                                                                  | 5,5                                                                  | 25,0                                                                | 20,0                                                                    | 11,5 x 8,5                                                                                                                        | 468                                                                                                         | 2                                                                                                                     | L                    |
|                             | N-78-2PE (M)                                                                                           | 250                                                                                      | 50                                                               | 205                                                        | 180                                                                                                  | 5,5                                                                  | 25,0                                                                | 20,0                                                                    | 11,5 x 8,5                                                                                                                        | 702                                                                                                         | 2 - 3                                                                                                                 | L                    |
|                             | N-78-3PE (M)                                                                                           | 250                                                                                      | 50                                                               | 223                                                        | 198                                                                                                  | 5,0                                                                  | 25,0                                                                | 20,0                                                                    | 15 x 11,5                                                                                                                         |                                                                                                             |                                                                                                                       | 100                  |
|                             | N-100-S (M)                                                                                            | 250                                                                                      | 50                                                               | 305                                                        | 280                                                                                                  | 5,0                                                                  | 25,0                                                                | 20,0                                                                    | 15 x 11,5                                                                                                                         |                                                                                                             |                                                                                                                       | 100                  |
| NPL 130-6 IFR               | Serial                                                                                                 | 300                                                                                      | 70                                                               | 218                                                        | 198                                                                                                  | 6,5                                                                  | 25,0                                                                | 21,5                                                                    | 15,0 x 11,5                                                                                                                       | 600                                                                                                         | 2 - 3                                                                                                                 | 100                  |
|                             | N-100-2PE (M)                                                                                          | 250                                                                                      | 50                                                               | 223                                                        | 198                                                                                                  | 6,5                                                                  | 25,0                                                                | 21,5                                                                    | 15,0 x 11,5                                                                                                                       | 900                                                                                                         | 3                                                                                                                     | 100                  |
|                             | N-100-3PE (M)                                                                                          | 250                                                                                      | 50                                                               | 183                                                        | 158                                                                                                  | 5,0                                                                  | 25,0                                                                | 20,0                                                                    | 11,5 x 6,5                                                                                                                        |                                                                                                             |                                                                                                                       | M                    |
|                             | N-130-S (M)                                                                                            | 250                                                                                      | 50                                                               | 345                                                        | 320                                                                                                  | 5,0                                                                  | 25,0                                                                | 20,0                                                                    | 11,5 x 6,5                                                                                                                        |                                                                                                             |                                                                                                                       | M                    |
| NPL 130-6 IFR               | Serial                                                                                                 | 500                                                                                      | 100                                                              | 360                                                        | 320                                                                                                  | 8,5                                                                  | 40,0                                                                | 30,0                                                                    | 11,5 x 6,5                                                                                                                        | 780                                                                                                         | 2                                                                                                                     | L                    |
|                             | N-130-2PE (M)                                                                                          | 500                                                                                      | 100                                                              | 360                                                        | 320                                                                                                  | 8,5                                                                  | 40,0                                                                | 30,0                                                                    | 11,5 x 6,5                                                                                                                        | 1170                                                                                                        | 2 - 3                                                                                                                 | L                    |
|                             | N-130-3PE (M)                                                                                          | 500                                                                                      | 100                                                              | 360                                                        | 320                                                                                                  | 8,5                                                                  | 40,0                                                                | 30,0                                                                    | 11,5 x 6,5                                                                                                                        |                                                                                                             |                                                                                                                       | L                    |
|                             | N-130-S (M)                                                                                            | 500                                                                                      | 100                                                              | 360                                                        | 320                                                                                                  | 8,5                                                                  | 40,0                                                                | 30,0                                                                    | 11,5 x 6,5                                                                                                                        |                                                                                                             |                                                                                                                       | L                    |

\* rundgeformter Querschnitt – round shaped tube

**NP/NPL Verbinder – nicht maßstabgetreu**  
**NP/NPL Connector Selection Chart – Not to scale**

| Batterietyp/Battery type                                          | NP 17- 12 I   | NP / NPL 24 – 12 I | NP/NPL 38 – 12 I |
|-------------------------------------------------------------------|---------------|--------------------|------------------|
| Reihenschaltung / Serial Connection                               |               |                    |                  |
| Verbinder / Connector                                             | N-17-24 S     | N-17-24 S          | N-38-S / SS      |
| Strombelastbarkeit / Current Carrying Capacity                    | 90 Ampères    | 90 Ampères         | 125 Ampères      |
| kurze Reihenschaltung / Short Serial Connection                   |               |                    |                  |
| Verbinder / Connector                                             | N-17- SLE     | N-24- SLE          | N-38-SLE         |
| Strombelastbarkeit / Current Carrying Capacity                    | 125 Ampères   | 125 Ampères        | 250 Ampères      |
| Reihenschaltung zwischen 2 Batteriesträngen / Interrow Connection |               |                    |                  |
| Verbinder / Connector                                             | N-17-24 SS    | N-17-24 SS         | N-38-S / SS      |
| Strombelastbarkeit / Current Carrying Capacity                    | 90 Ampères    | 90 Ampères         | 125 Ampères      |
| Parallelschaltung 2 Stränge / Parallel Connection 2 Strings       |               |                    |                  |
| Verbinder / Connector                                             | N-17- 2 / 3PE | N-24- 2PE          | N-38- 2PE        |
| Strombelastbarkeit / Current Carrying Capacity                    | 90 Ampères    | 160 Ampères        | 250 Ampères      |
| Parallelschaltung 3 Stränge / Parallel Connection 3 Strings       |               |                    |                  |
| Verbinder / Connector                                             | N-17- 2/3PE   | N-24- 3PE          | N-38- 3PE        |
| Strombelastbarkeit / Current Carrying Capacity                    | 90 Ampères    | 250 Ampères        | 400 Ampères      |

**Technische Spezifikation des Wärmeschrumpfschlauches „Versafit“**

**Technical Characteristics of Heat-Shrinkable Tubes “Versafit“**

- Permanent zulässige Betriebstemperatur: -30° bis +125°C
- Schrumpftemperatur: + 115°C
- Schrumpfverhältnis: 2 : 1
- Durchschlagswiderstand: 20 KV/mm x Min.
- Zugfestigkeit: 10.3 Mpa
- Maximale Streckung: 100% min.
- Längenänderung bei Schrumpfung: ± 3% max.
- Wasserabsorption: 0,5% max.
- Entflammbarkeit: UL VW-1

- Continuous operating temperature : - 30° to +125°C
- Shrink temperature: + 115°C
- Shrink ratio: 2 : 1
- Dielectric strength: 20 KV/mm x min
- Tensile strength: 10.3 Mpa
- Ultimate elongation: 100% min.
- Longitudinal change: ± 3% max.
- Water absorption: 0,5% max.
- Flammability: Flame retardant (UL VW-1)

**Verbindertypbezeichner**

Alle Verbinder tragen Typschilder, die selbsterklärend auf die Verwendbarkeit bei einem oder mehreren bestimmten Batterietypen als auch auf die Verschaltungsart (S = seriell = in Reihe oder P = parallel) hinweisen.

z. B.: N-17-24-S(M) / N-17-24-SS(M) / N-17-SLE (M) / N-17-2 PE (M)

- N = Bezugnahme auf die Baureihen NP/NPL mit weiblichem Gewinde
- 17-24 = Paßformgenauigkeit der Verbinderenden/-dimensionierung sowohl für eine 17 AH oder 24 AH Batterie der Serie NP/NPL
- S = Serielle Verschaltung
- SS = Kurze serielle Verschaltung (z. B. Schaubild bei gegenüberstehender Batterieanordnung)
- SLE = Serieller Endverbinder zwischen zwei Batteriereihen, lange Verbindung
- M = Typschild (Markierer) auf Isolationschlauch aufgeschoben
- 2PE (3PE) = Verbinder zwischen zwei nebeneinanderstehenden parallelen Batteriereihen

- Bezeichnung des Verbindertyps (z.B. NP-17-24-S(M))
- Verbinderlänge (z.B. für N-17-24-S(M): 112 mm)
- Querschnitt in mm<sup>2</sup> (z.B. N-17-24-S(M): 10 mm<sup>2</sup>)
- Stromtragefähigkeit (z.B. N-17-24-S(M) 90 Amps)

Alle Verbinder mit aufgeschobenem Typschild sind mit dem Versafit Wärmeschrumpfschlauch isoliert.

**Cable Markers**

All connectors carry markers which are self-explaining in their designation as to their suitability and purpose for one or more battery types within the NP/NPL series either for serial or parallel connection.

e.g. : N-17-24-S(M) / N-17-24-SS(M) / N-17-SLE (M) / N-17-2 PE (M)

- N = reference to NP/NPL series with female threaded terminals
- 17-24 = fit of connector endings to 17Ah and/or 24 AH batteries of series NP/NPL
- S = serial connection
- SS = short serial connection
- SLE = serial ending link between 2 strings of batteries, long ending
- M = marker on the sleeve
- 2PE (3PE) = connector between 2(3) parallel strings of batteries

- Designation of connector type (e.g.: NP-17-24-S(M))
- Length of connector (e.g. for N-17-24-S(M): 112 mm)
- Cross sectional diameter, mm<sup>2</sup> (e.g. N-17-24-S(M):10mm<sup>2</sup>)
- Current carrying capacity (e.g. N-17-24-S(M) 90 Amps)

All connectors with sleeved markers necessarily bear Versafit heat shrinkable insulation sleeves.

## Verbinder und Abdeckkappen

für NP 17-12 I, NP/NPL 24-12/38/65-12 I, NPL 100-12 (FR-Batteriecontainer, schwer entflammbar, optional), NPL 78-12 I FR und NPL 130-6 I FR

### Connectors and Shrouds

für NP 17-12 I, NP/NPL 24-12/38/65-12 I, NPL 100-12 (FR-container/lid version optional), NPL 78-12 I FR and NPL 130-6 I FR

#### Allgemeine Spezifikationen – General Specifications

Yuasa stellt ein System von Verbindern\*, bestehend aus geflochtenen flexiblen Kupferadern vor, deren Querschnitt an Strombelastbarkeit, wie sie von Batteriesystemen in der Mehrzahl von Anwendungen gefordert wird, angepaßt worden ist.

Die Strombelastbarkeit eines geflochtenen Kupferverbinders bemißt sich nach dem maximalen Strom, der während einer bestimmten Überbrückungszeit fließen kann; in anderen Worten: die Verbinder sind nicht auf Kurzschlußströme berechnet.

Die Auslegung der nachfolgend benannten Verbinder stellt einen guten Kompromiß zwischen Herstellungskosten und Querschnittsdurchmesser (Strombelastbarkeit) einerseits und verschiedenen Ansprüchen an die Strombelastbarkeit in Hinsicht auf die Vielzahl der möglichen Auslegungen andererseits dar.

Die Verbinder sind gegen Fremdbberührung durch einen Hitzeschrumpfschlauch (Versafit Sleeving, Raychem) isoliert, der aus kostengünstigem Polyolefin besteht und in Hinsicht auf Entflammbarkeit, mechanischen Hochtemperatureigenschaften dem Standard von Underwriters Laboratories UL 224 – VV 1 entspricht (weitere geprüfte Eigenschaften: ASTM D 2671 Korrosionsbeständigkeit des Kupfers, Wasserabsorption und elektrischer Durchschlagswiderstand des Schrumpfschlauches).

Selbst im Fall eines größeren Stromflusses, der größenordnungsmäßig innerhalb der angegebenen Strombelastbarkeit des Verbinders zu liegen hat, ist der Querschnitt während der Überbrückungszeit dergestalt ausgelegt, daß ein maximal zulässiger Temperaturanstieg von 50°C in Bezug auf die Umgebungstemperatur erfolgen kann. Bei Verbindertemperaturen oberhalb 100°C verändert sich der Querschnitt des Isolierungsschrumpfschlauches auf eine vorbestimmte Größe bis zum Erreichen der höchstzulässigen Temperatur von 125°C.

\* Herstellung des geflochtenen Kupferkabels und der Schrumpfummantelung in Übereinstimmung mit einem Qualitätssicherungssystem nach British Standard, registriert unter Zertifikat FM 10585 no. 1 und bezeichnet als BS EN ISO 9002: 1994

Yuasa now provides a set\* of flexible, braided copper connectors of which the cross-sectional diameter is tailored to current carrying capacities suitable for most of all standard applications.

The current carrying capacity of the braided copper connectors takes its bearing from the current which might flow during autonomy; expressly the connectors are not seized to withstand any short circuit current per se.

The seizing of the connectors listed below represents a good compromise between costs of manufacture and cross sectional diameter (copper material employed) of one particular type and the possible variety of seizures contingent on varying requirements of current carrying capacity.

The connectors are insulated by a heat shrinkable tube (Versafit Sleeving by Raychem) consisting of cost effective polyolefin which is compliant to UL 224-VV 1 (high temperature mechanical properties, flame retardancy), ASTM D 2671 (copper stability, water absorption, dielectric strength, corrosive effect) and CSA-certified in accordance with Standard C 22.2 No. 198.

In case of any greater flow of current during autonomy, the magnitude of the current carrying capacity (diameter) of the connector is designed to allow for temperature rises of 50°C on top of the ambient temperature underrating significantly the permissible continuous operating of the sleeve of up to 100°C in most cases (temperature above which the insulating extruded sleeving reduces its diameter to a predetermined size) and 125°C as highest temperature permissible.

\* Manufacture of braided cables and sleeving assemblies in accordance with quality management system approved by BSI, registered under Certificate FM 10585 no. 1, and qualified as BS EN ISO 9002: 1994.

#### NP/NPL Verbinder – nicht maßstabsgetreu NP/NPL Connector Selection Chart – Not to scale

| Batterietyp/Battery type                                          | NP / NPL 65 – 12 I | NPL 78 – 12I FR |
|-------------------------------------------------------------------|--------------------|-----------------|
| Reihenschaltung / Serial Connection                               |                    |                 |
| Verbinder / Connector                                             | N-65-S             | N-78-S          |
| Strombelastbarkeit / Current Carrying Capacity                    | 250 Ampères        | 250 Ampères     |
| kurze Reihenschaltung / Short Serial Connection                   |                    |                 |
| Verbinder / Connector                                             | N-65-SLE           | N-78-SLE        |
| Strombelastbarkeit / Current Carrying Capacity                    | 250 Ampères        | 250 Ampères     |
| Reihenschaltung zwischen 2 Batteriesträngen / Interrow Connection |                    |                 |
| Verbinder / Connector                                             | N-65-SS            | N-78-SS         |
| Strombelastbarkeit / Current Carrying Capacity                    | 250 Ampères        | 250 Ampères     |
| Parallelschaltung 2 Stränge / Parallel Connection 2 Strings       |                    |                 |
| Verbinder / Connector                                             | N-65-2PE           | N-78-2PE        |
| Strombelastbarkeit / Current Carrying Capacity                    | 400 Ampères        | 250 Ampères     |
| Parallelschaltung 3 Stränge / Parallel Connection 3 Strings       |                    |                 |
| Verbinder / Connector                                             | N-65-3PE           | N-78-3PE        |
| Strombelastbarkeit / Current Carrying Capacity                    | 500 Ampères        | 300 Ampères     |

#### NP/NPL Verbinder – nicht maßstabsgetreu NP/NPL Connector Selection Chart – Not to scale

| Batterietyp/Battery type                                          | NPL 100 – 12 | NPL 130 – 6I FR |
|-------------------------------------------------------------------|--------------|-----------------|
| Reihenschaltung / Serial Connection                               |              |                 |
| Verbinder / Connector                                             | N-100-S      | N-130-S         |
| Strombelastbarkeit / Current Carrying Capacity                    | 250 Ampères  | 250 Ampères     |
| kurze Reihenschaltung / Short Serial Connection                   |              |                 |
| Verbinder / Connector                                             | N-100-SLE    | N-130-SLE       |
| Strombelastbarkeit / Current Carrying Capacity                    | 250 Ampères  | 250 Ampères     |
| Reihenschaltung zwischen 2 Batteriesträngen / Interrow Connection |              |                 |
| Verbinder / Connector                                             | N-100-S      | N-130-SLE       |
| Strombelastbarkeit / Current Carrying Capacity                    | 250 Ampères  | 250 Ampères     |
| Parallelschaltung 2 Stränge / Parallel Connection 2 Strings       |              |                 |
| Verbinder / Connector                                             | N-100-2PE    | N-130-2PE       |
| Strombelastbarkeit / Current Carrying Capacity                    | 250 Ampères  | 500 Ampères     |
| Parallelschaltung 3 Stränge / Parallel Connection 3 Strings       |              |                 |
| Verbinder / Connector                                             | N-100-3PE    | N-130-3PE       |
| Strombelastbarkeit / Current Carrying Capacity                    | 350 Ampères  | 500 Ampères     |



Um den Übergang zwischen Batteriepol mit Lochgewinde und Verbinder optimal elektrisch und mechanisch zu schützen, empfiehlt Yuasa entweder die Abdeckkappe (S) für die Batterietypen NP 17-12 I und NP / NPL 24-12 I, die Abdeckkappe (M) für NP/NPL 38/65-12 I, NPL 78-12 I und NPL 130-6 IFR.

Abdeckkappe (L) ist für alle Parallelverbindungen (2PE und 3PE) von 38AH bis 130AH vorgesehen (Ausnahme NPL 100-12), Abdeckkappe (M) für die Parallelverbindung von 17Ah bis 24 Ah; die spezielle Abdeckkappe (100) jedoch nur für Reihen- als auch Parallelverschaltungen der NPL 100-12.

*In order to properly cover the joint between connector and female threaded terminals of the battery, Yuasa recommends to either use the (S)-shroud for the batteries NP 17-12 I and NP/NPL 24-12I, the (M) Shroud for NP/NPL 38/65, NPL 78-12 IFR and NPL 130-6 IFR.*

*The (L)-Shroud is designed to fit to all parallel connections (2PE and 3PE) from 38 Ah to 130 Ah (exception NPL 100-12), the (M)-Shroud fits to all parallel connections from 17 Ah to 24 Ah; the particular shroud (100) can solely be used either for serial or parallel connection of NPL 100-12.*

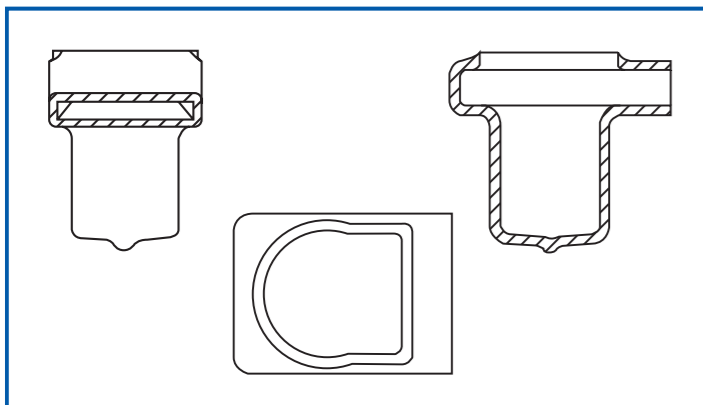
#### Eigenschaften der Abdeckkappen

- Zugfestigkeit : 9 Mpa
- Maximale Streckgrenze (%) : 430
- Tieftemperaturflexibilität : -50°C
- Erscheinungsbild : Hochglanz
- Maximale Betriebstemperatur : 100°C
- Entflammbarkeitsklassifizierung : V1
- Oxidationskoeffizient : 23
- Elektrische Durchschlagfestigkeit : 12KV/mm x min

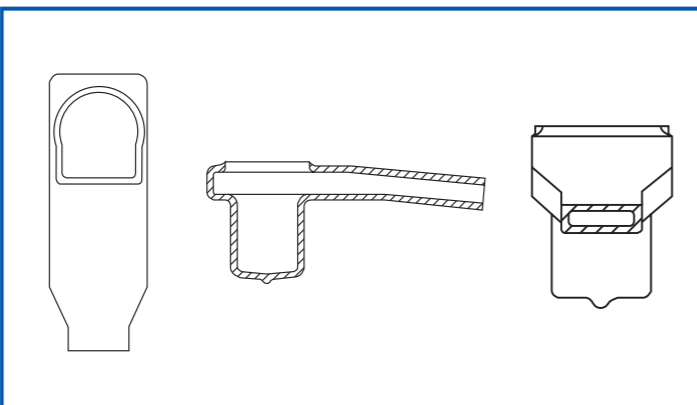
#### Physical Properties of the Shrouds

- Tensile Strength : 9 Mpa
- Elongation at break (%) : 430
- Low temperature flexibility : - 50°C
- Appearance : Glossy Finish
- Maximum working temperature : 100°C
- Flame retardant rating (UL) : V1
- Oxygen Index : 23
- Dielectric strength : 12KV/mm x min

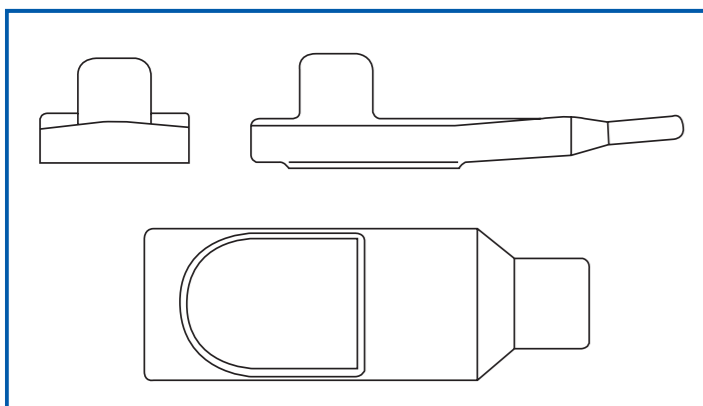
#### S-Abdeckkappen – S-Shrouds



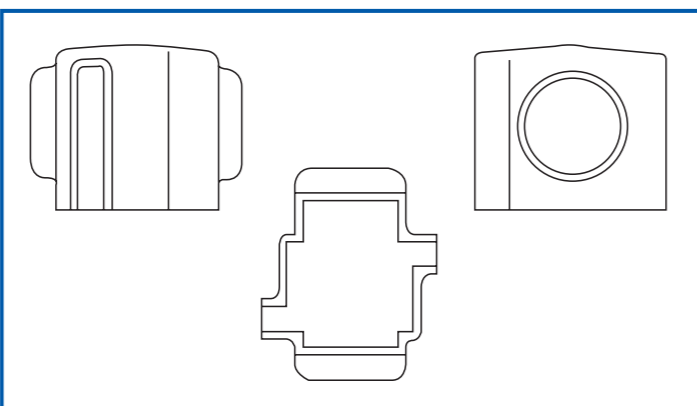
#### M-Abdeckkappen – M-Shrouds



#### L-Abdeckkappen – L-Shrouds

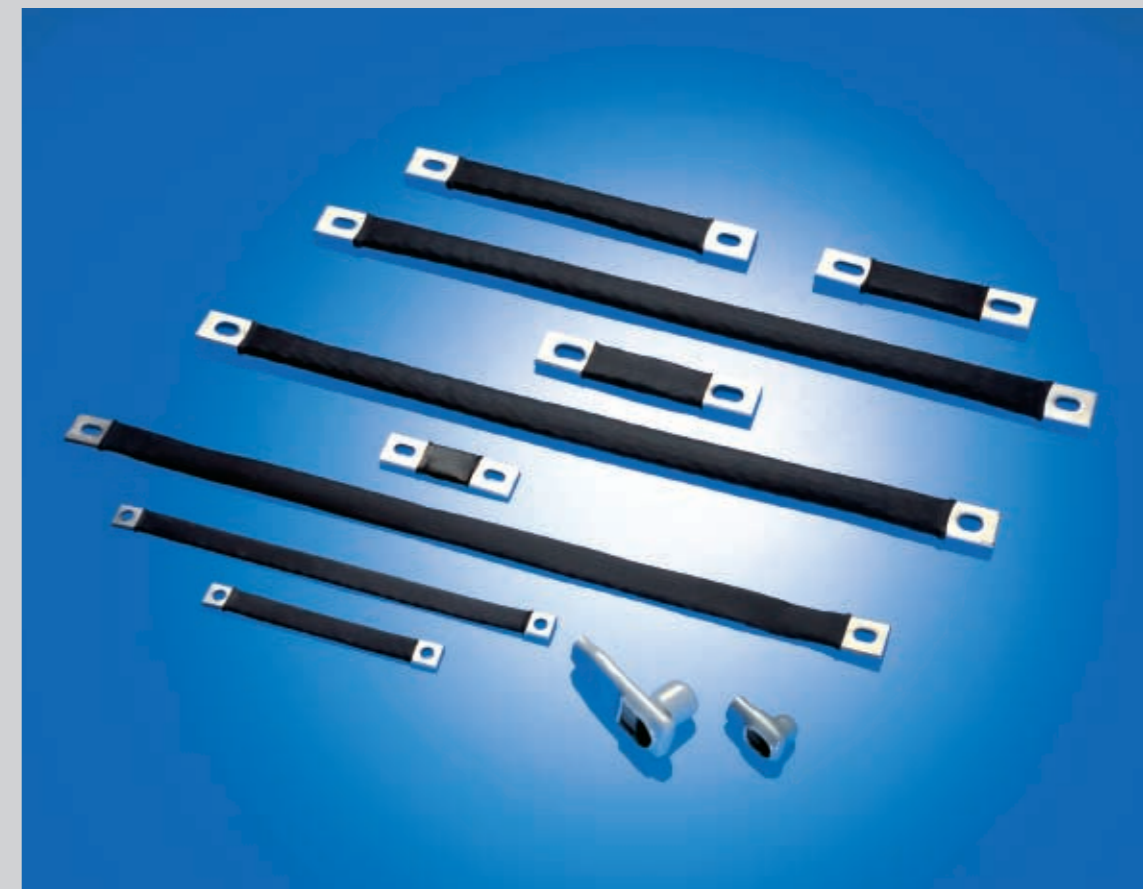


#### 100-Abdeckkappen – 100-Shrouds



## NP NPL Baureihe – Series

### Verbinder und Abdeckkappen Connectors and Shrouds



**YUASA BATTERY (EUROPE) GmbH**

Wanheimer Straße 47  
40472 Düsseldorf · Germany

Tel.: ++ 49 (0) 2 11/4 17 90-0  
Fax: ++ 49 (0) 2 11/4 17 90-11

Stünnings Kreifeld - 1/00  
Technische Änderungen vorbehalten.  
Technical changes reserved.



YUASA BATTERY (EUROPE) GmbH

# YUASA